
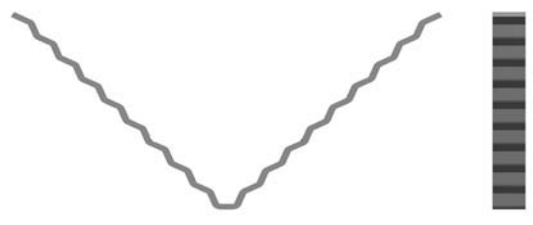

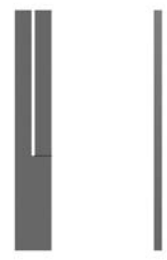
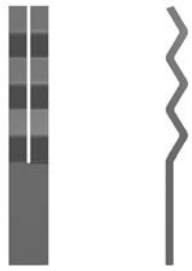
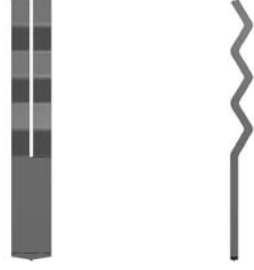
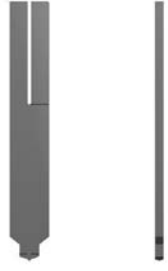
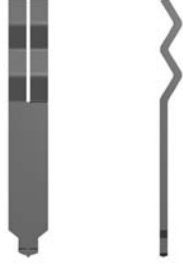
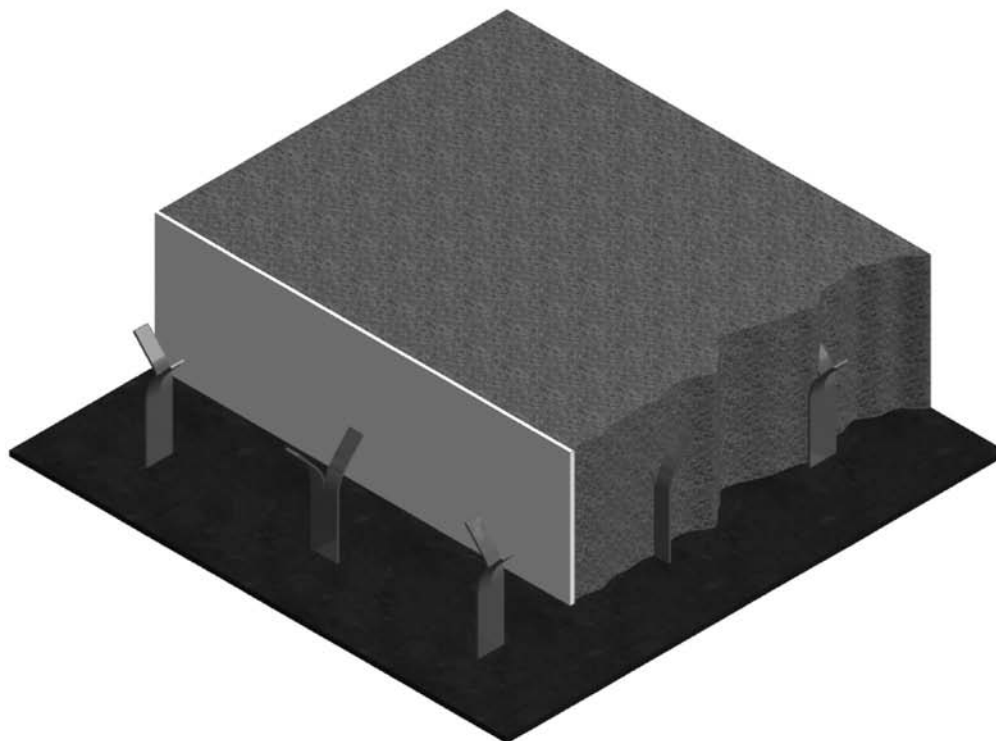


AS Schöler + Bolte

Product overview 02

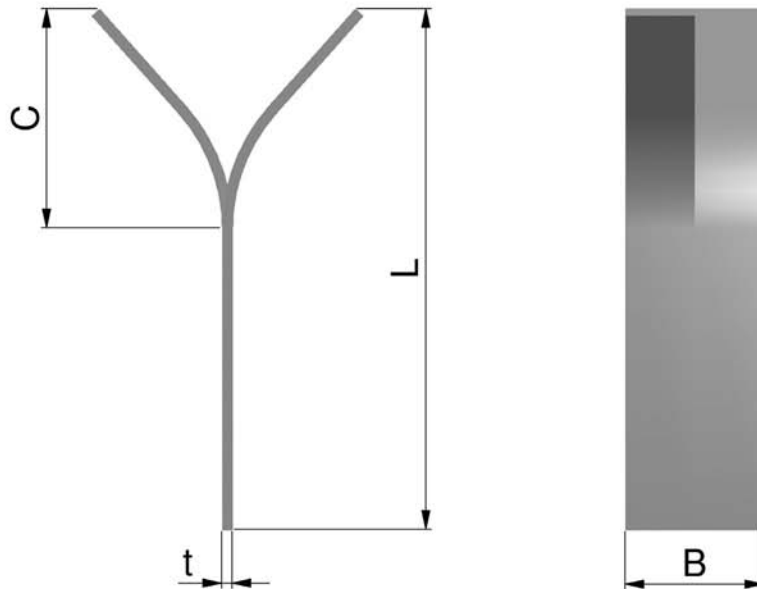
 <p>FAG</p>	 <p>FAV</p>
 <p>SYA</p>	 <p>YHA</p>
 <p>YHB</p>	 <p>YHBS</p>
 <p>YRA</p>	 <p>YRB</p>



Sample of installation: Product category 2

AS Schöler + Bolte

Refractory Anchoring Systems



FAG-3-30-250-50-1.4841

Anchor type

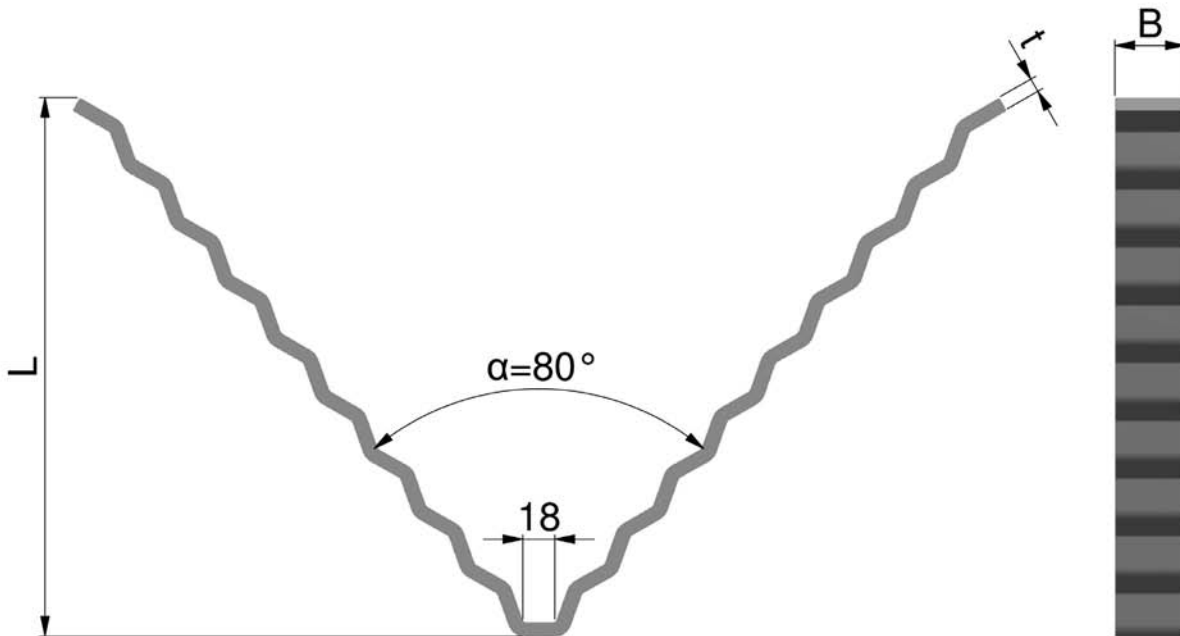
Anchor thickness t

Anchor width B

Anchor length L

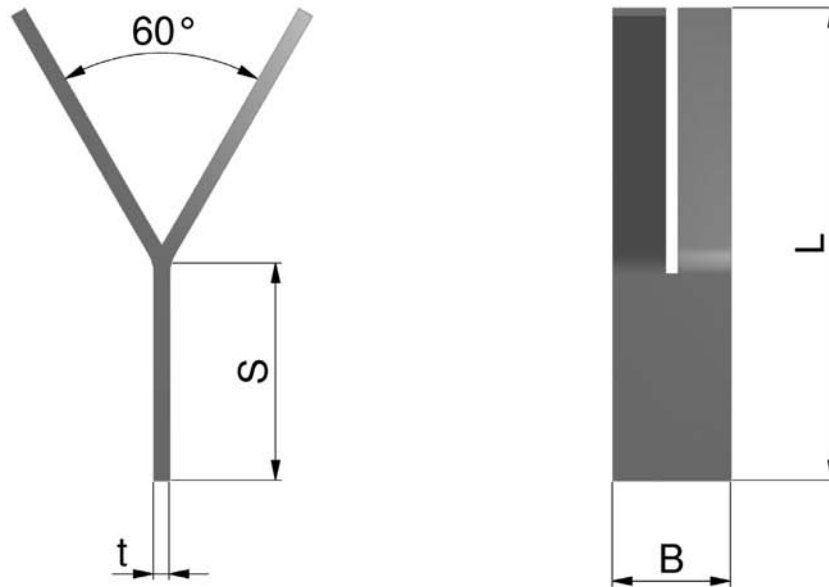
Slot length C

Alloy type



FAV-3-30-250-1.4841

Anchor type
Anchor thickness t
Anchor width B
Anchor length L
Alloy type

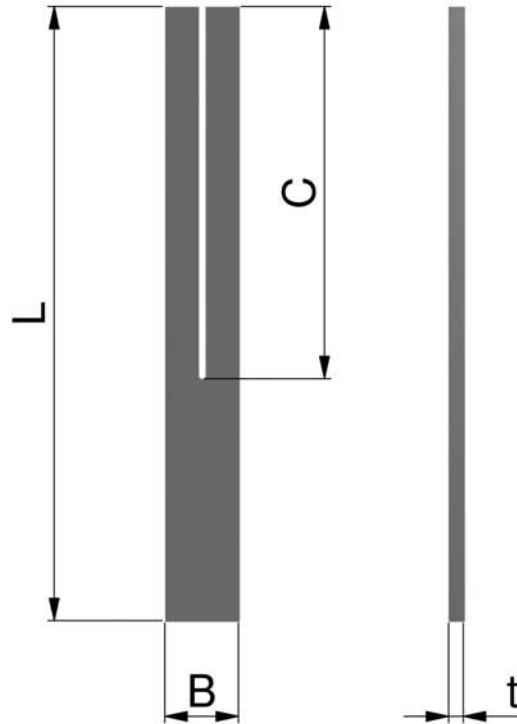


SYA-3-30-250-1.4841

Anchor type
Anchor thickness t
Anchor width B
Anchor length L
Alloy type

AS Schöler + Bolte

Refractory Anchoring Systems

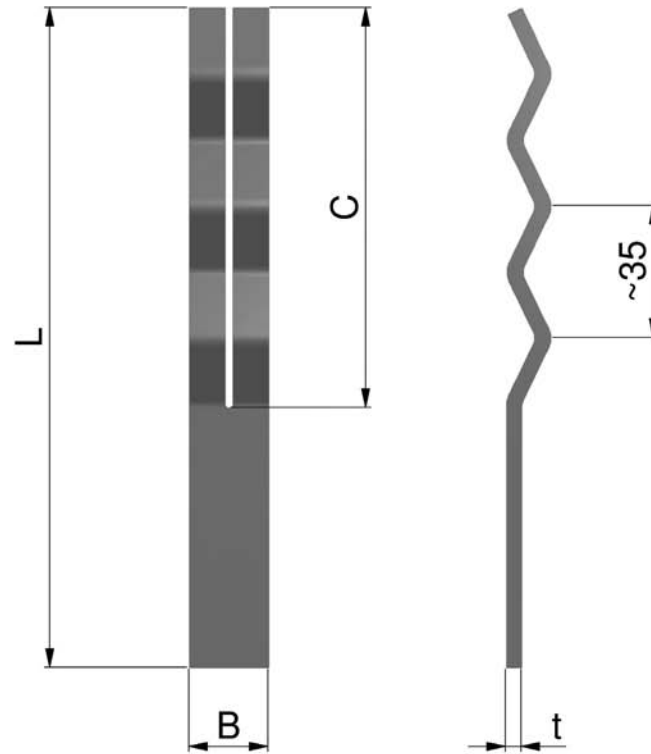


YHA-3-15-250-130-1.4841

Anchor type
Anchor thickness t
Anchor width B
Anchor length L
Slot length C
Alloy type

AS Schöler + Bolte

Refractory Anchoring Systems

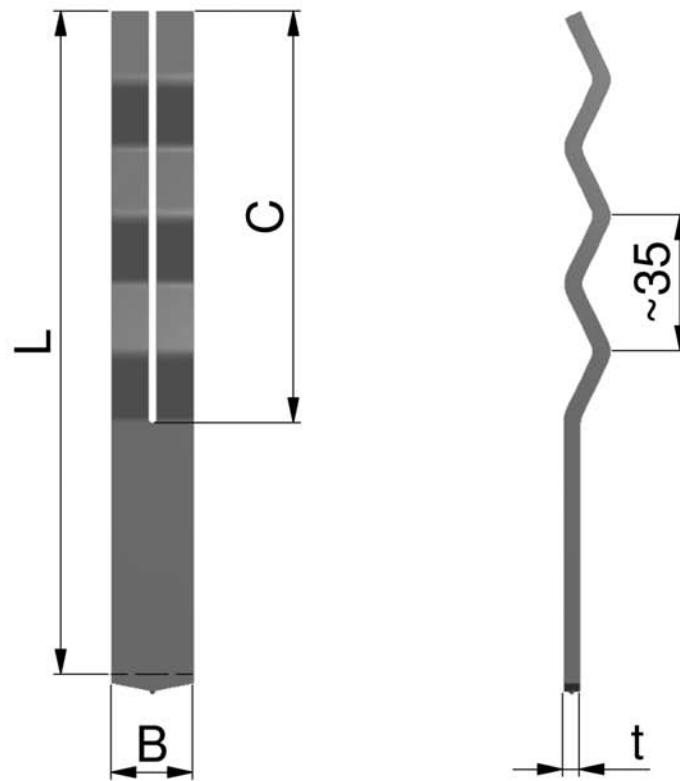


YHB-3-15-250-130-1.4841

Anchor type
Anchor thickness t
Anchor width B
Anchor length L
Slot length C
Alloy type

AS Schöler + Bolte

Refractory Anchoring Systems

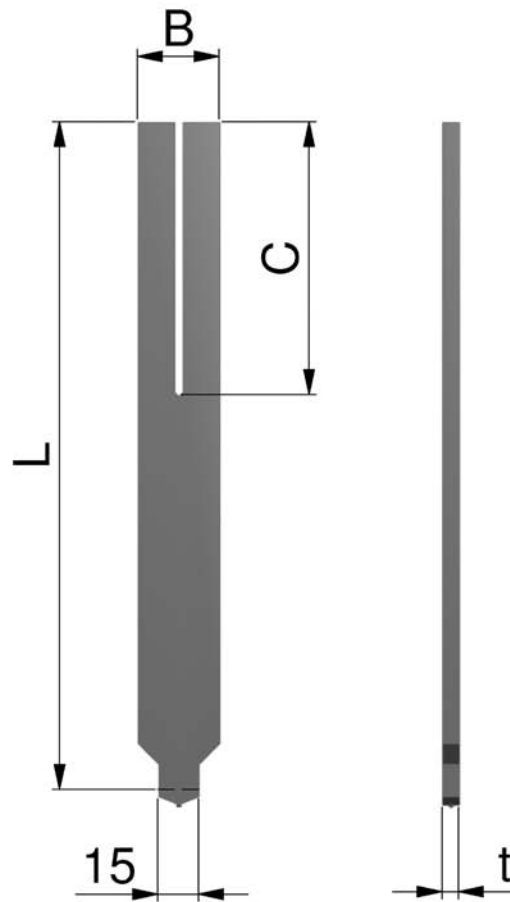


YHB-3-15-250-130-1.4841

Anchor type
Anchor thickness t
Anchor width B
Anchor length L
Slot length C
Alloy type

09 Ferrules

10 Stud welding unit/ Welding gun



YRA-3-30-250-130-1.4841

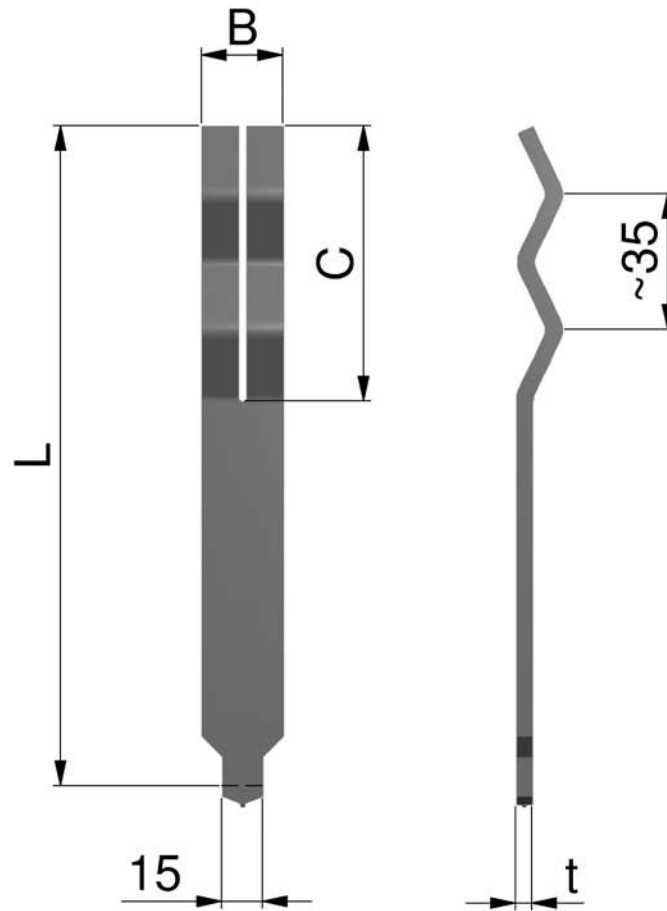
Anchor type
 Anchor thickness t
 Anchor width B
 Anchor length L
 Slot length C
 Alloy type

09 Ferrules

10 Stud welding unit/ Welding gun

AS Schöler + Bolte

Refractory Anchoring Systems



YRB-3-30-250-100-1.4841

Anchor type
 Anchor thickness t
 Anchor width B
 Anchor length L
 Slot length C
 Alloy type

09 Ferrules

10 Stud welding unit/ Welding gun