
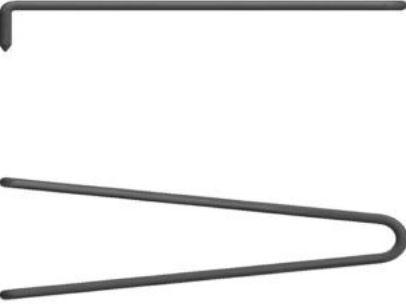
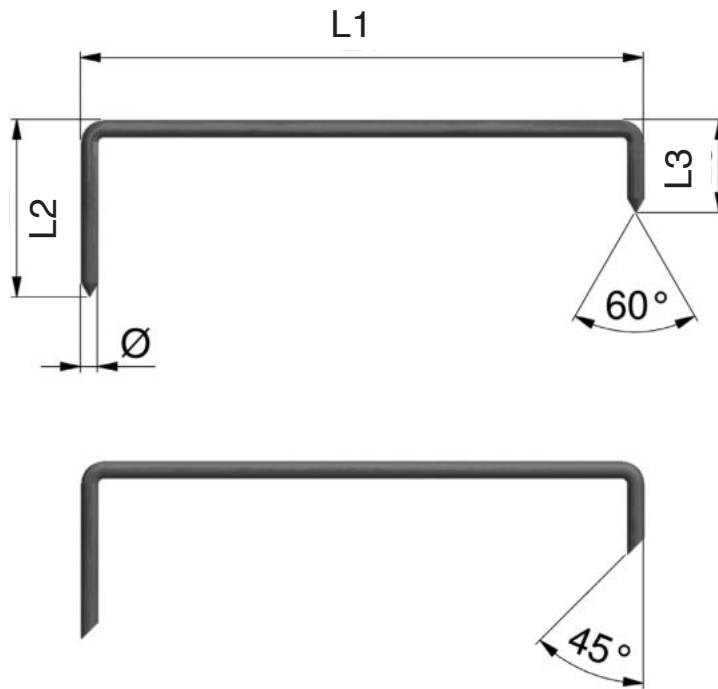
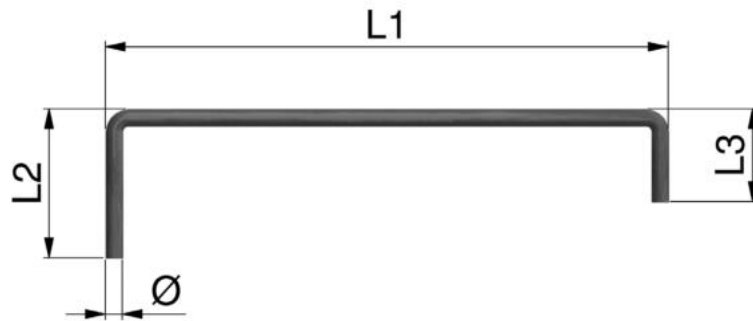
 <p>BSTP1</p>	 <p>BSTP2</p>
 <p>BSTP3</p>	



BSTP1-5-200-30-20-1.4841

Anchor type
Diameter Ø
Anchor length L1
Length L2
Length L3
Alloy type

07 Rectangular stud



BSTP2-6-200-60-30-1.4841

Anchor type

Diameter Ø

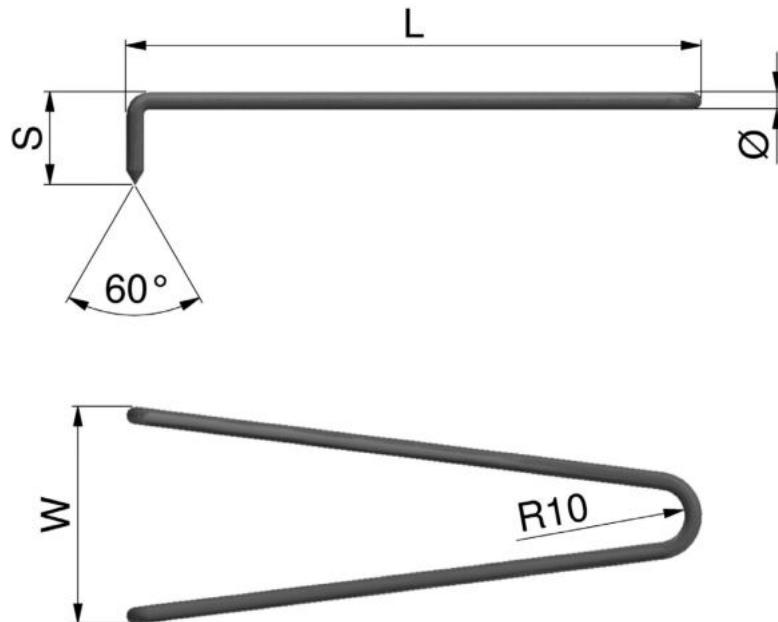
Anchor length L

Length L2

Length L3

Alloy type

07 Rectangular stud



BSTP3-5-200-75-30-1.4841

Anchor type
Diameter Ø
Anchor length L
Width W
Length S
Alloy type