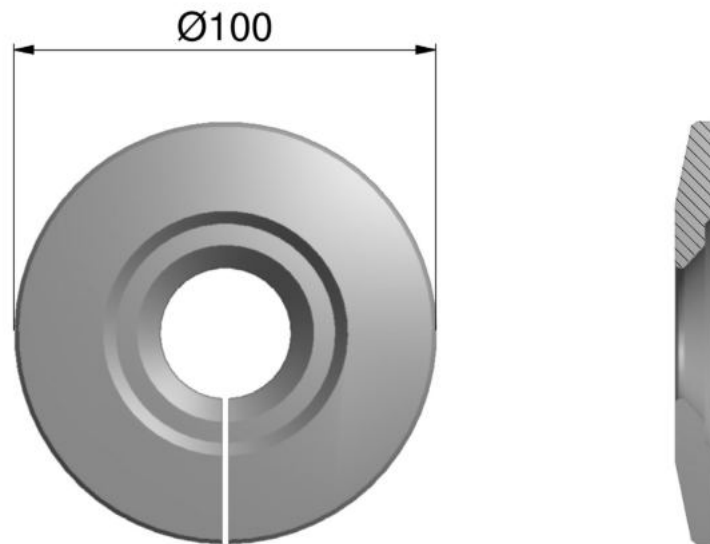




AS Schöler GmbH

Product overview 07

Ceramic products and clips	<p>BER100</p>	<p>CER50</p>	<p>CFF</p>	<p>CDR</p>
	<p>CDRS</p>	<p>D38</p>	<p>D60</p>	<p>LPC</p>
	<p>MTC</p>	<p>POC</p>	<p>R3</p>	
	Studs			
	<p>BU</p>	<p>KBF</p>	<p>KBFS</p>	<p>UD</p>
	Hex nuts and threaded washers			
<p>D38M</p>	<p>D38NA</p>	<p>DIN934</p>	<p>GWP</p>	
<p>Rundmutter</p>				
Washers				
<p>DIN9021</p>	<p>KSC</p>	<p>ULP</p>		
Rectangular studs				
<p>FSA</p>	<p>FSB</p>	<p>FSC</p>	<p>EHL</p>	



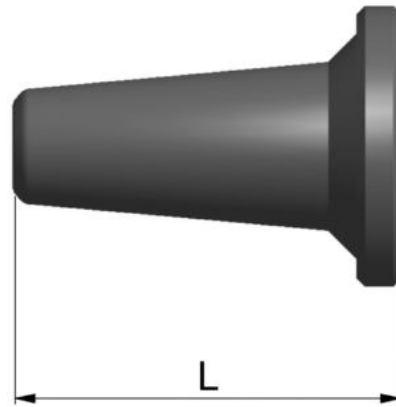
BER-100

07 Cuplock



CER-50

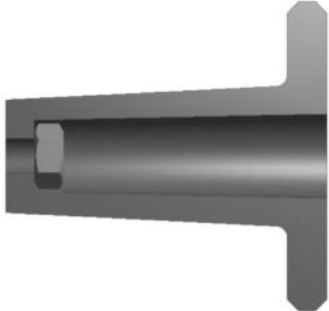
05 CER-Stud



CFF-050

05 Fiberfix studs

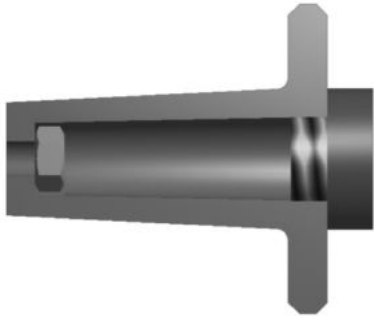
07 Bearing



CDR

05 Threaded studs

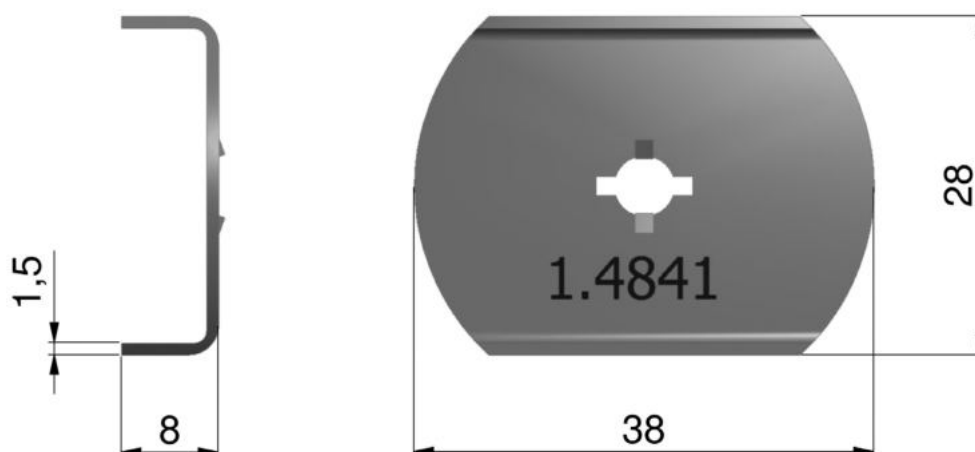
07 Bearing



CDR S

05 Threaded studs

07 Bearing

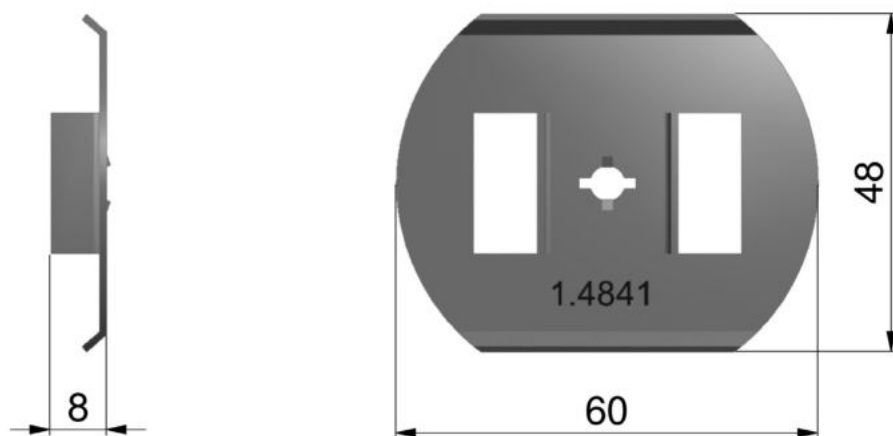


D38 - 1.4841

Clip type

Alloy type

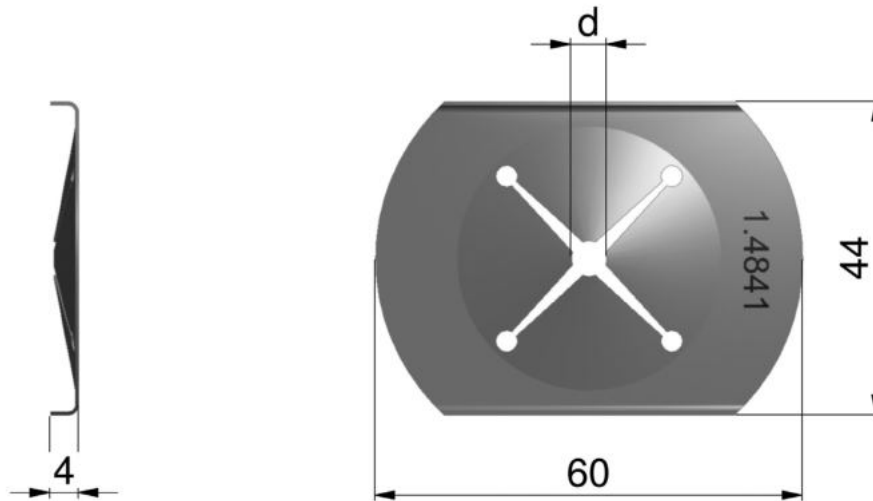
05 Fiberfix studs



D60-1.4841

Clip type

Alloy type



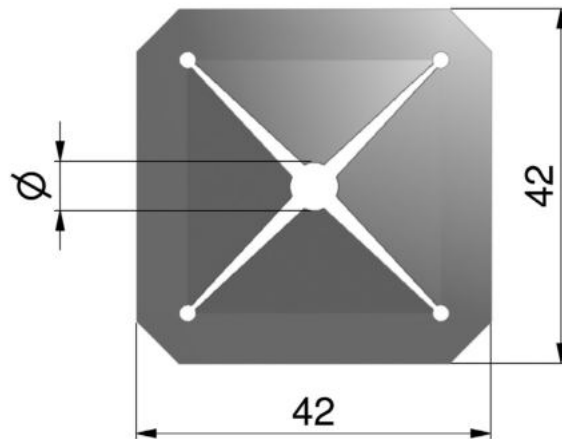
LPC-6-1.4841

Clip type

Diameter d

Alloy type

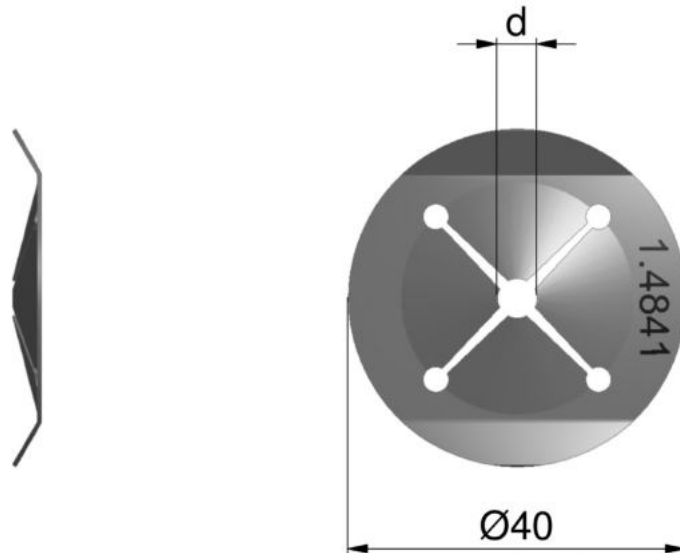
05 Threaded studs



MTC-5-1.4301

Clip type
Diameter Ø
Alloy type

05 Fiberfix studs/ Threaded studs



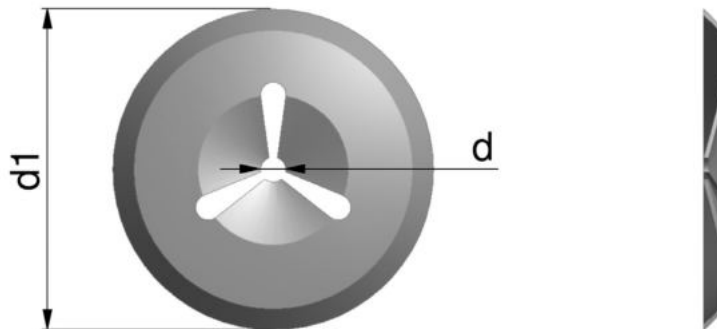
POC-5-1.4841

Clip type

Diameter Ø

Alloy type

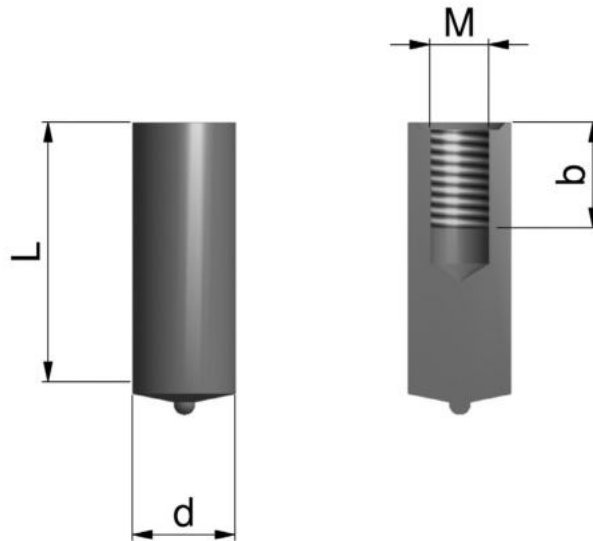
05 Threaded studs



R-3-38-1.4310

Clip type
Diameter d
Diameter d1
Alloy type

06 Insulation pin

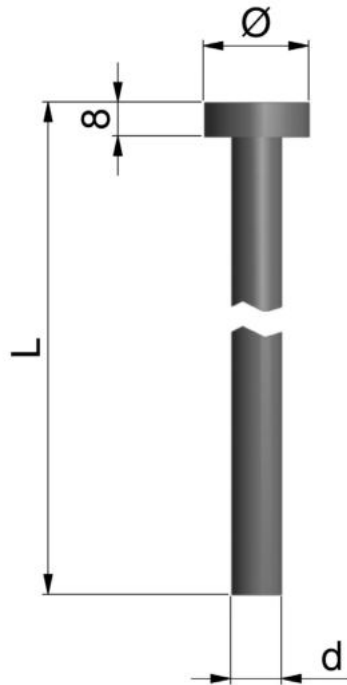


BU-M8-15-14-40-1.4841

Stud type
Thread diameter M
Thread length b
Stud diameter d
Length L
Alloy type

09 Ferrules

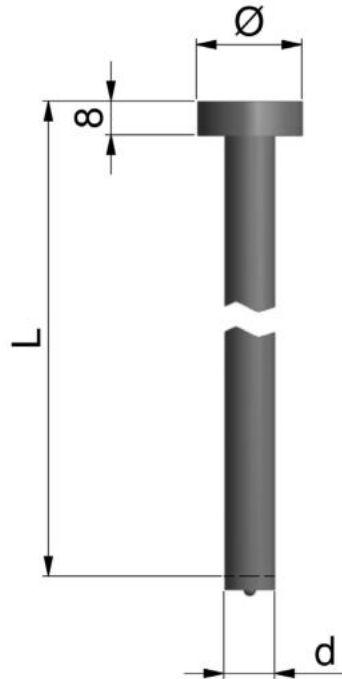
10 Stud welding unit/ Welding gun



KBF-12-300-25-1.4841

Stud type
Diameter \varnothing
Stud length L
Diameter \varnothing
Alloy type

01 Round bar anchor



KBFS-12-300-25-1.4841-BS

Stud type

Diameter d

Stud length L

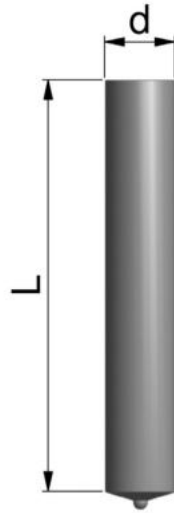
Kopfdiameter Ø

Alloy type

01 Round bar anchor

09 Ferrules

10 Stud welding unit/ Welding gun



UD-10-30-1.4841

Stud type

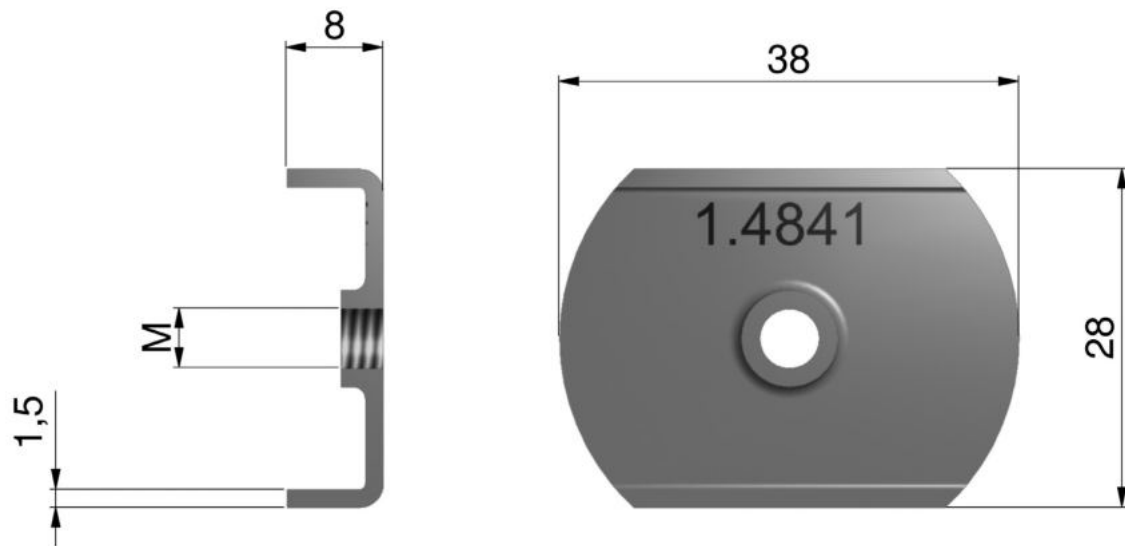
Stud diameter d

Stud length L

Alloy type

09 Ferrules

10 Stud welding unit/ Welding gun



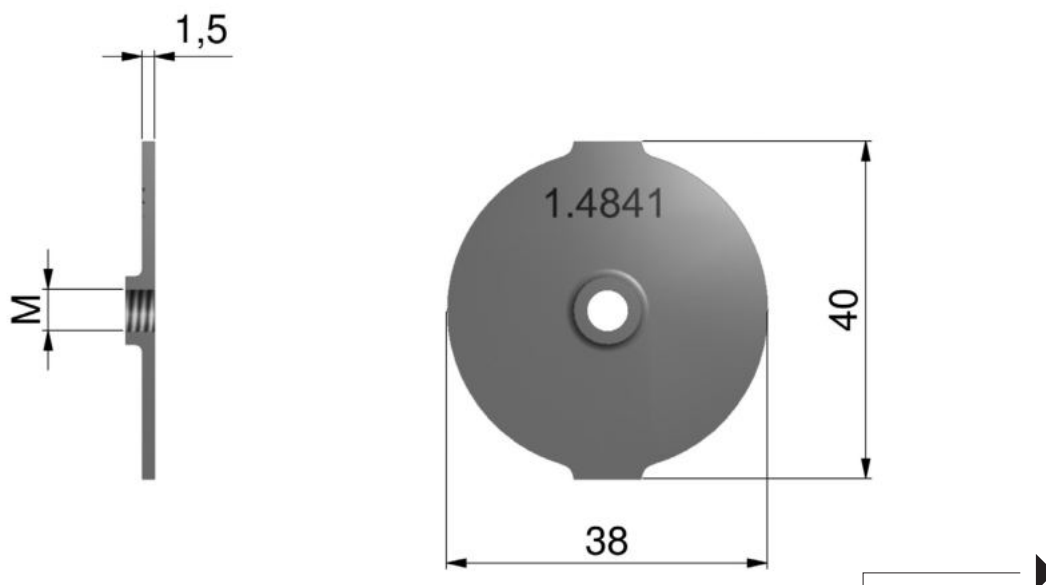
D38-M5-1.4841

Clip type

Thread diameter

Alloy type

05 Threaded studs



D38 NA-M5-1.4841

Washer type

Thread diameter

Alloy type

05 Threaded studs



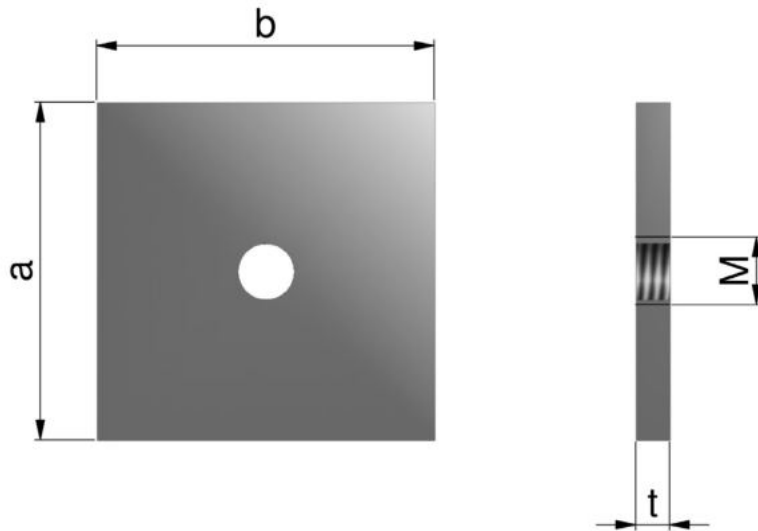
DIN 934-M6-1.4845

Nut type

Thread diameter

Alloy type

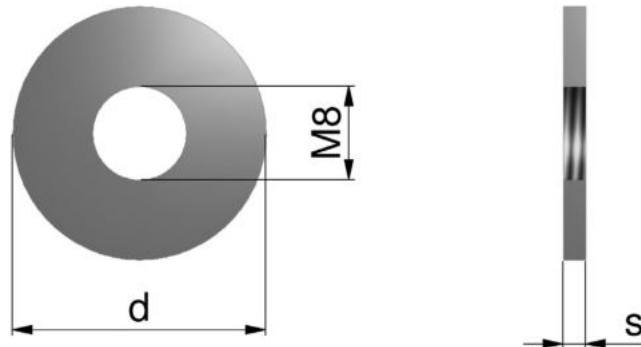
(Square nuts according DIN 934 (ISO 4032), other DIN/ ISO-Norms possible)



GWP-M8-40-40-4-1.4841

Washer type
Thread diameter M
Side length a
Side length b
Washer strength t
Alloy type

05 Threaded studs



Rund nut-20-4-M8-1.4841

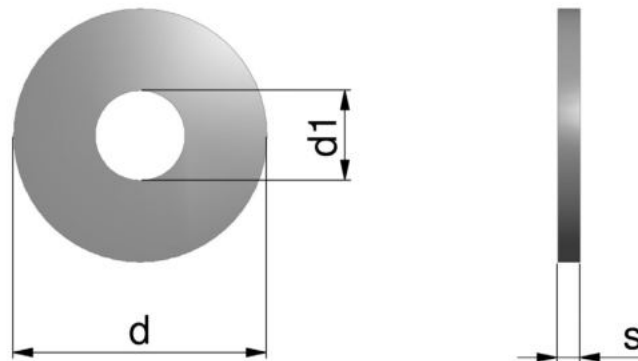
Washer type

Washer diameter d

Washer strength s

Thread diameter

Alloy type



DIN 9021-24-B8,4-2-1.4841

Washer type
Outside diameter d
Drilled hole d1
Washer strength s
Alloy type

(Washer according DIN 9021, other dimensions are possible)

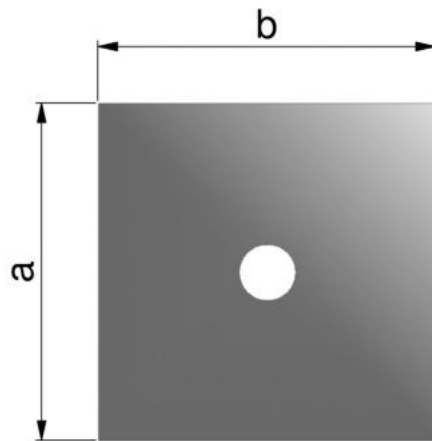
01 Closed round bar anchor

05 Studs



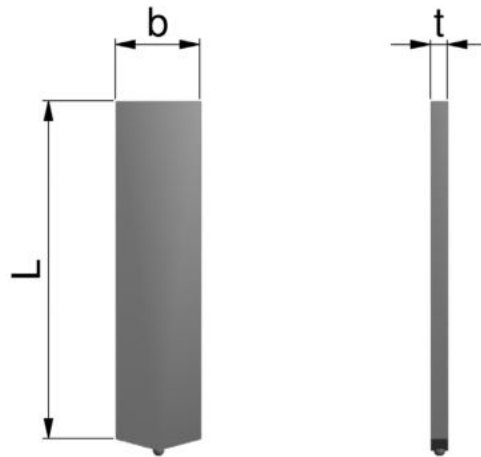
KSC

01 Round bar anchors



ULP-8-40-40-4-1.4841

Washer type
Drilled hole d
Side length a
Side length b
Washer strength t
Alloy type



FSA-3-15-60-1.4841

Rectangular stud type

Stud thickness t

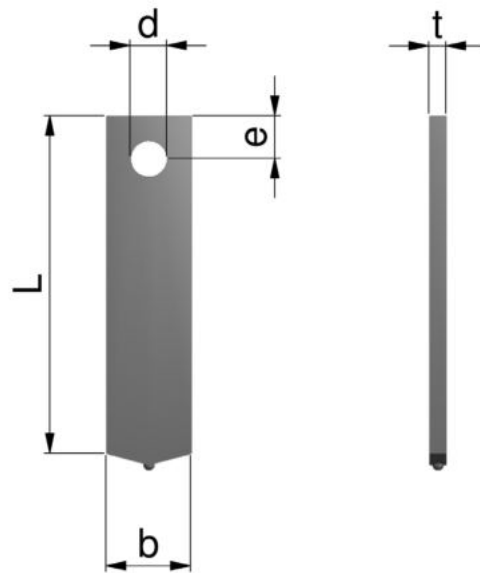
Stud width b

Stud length L

Alloy type

09 Ferrules

10 Stud welding unit/ Welding gun



FSB-3-15-60-15-6,5-1.4841

Rectangular stud type

Stud thickness t

Stud width b

Stud length L

Distance e

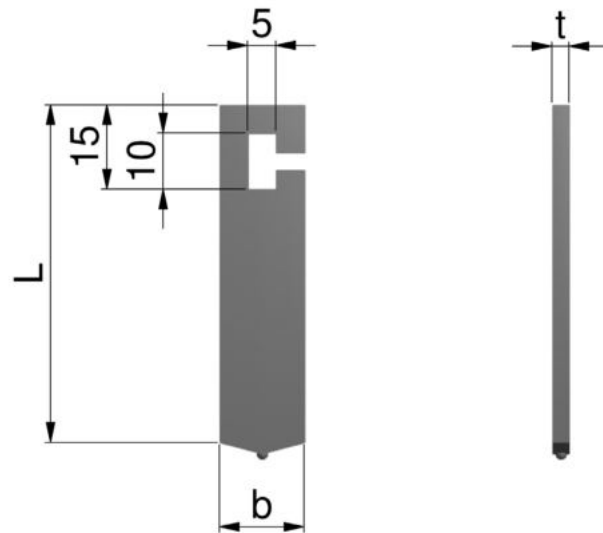
Drilled hole d

Alloy type

04 Brick anchor

09 Ferrules

10 Stud welding unit/ Welding gun



FSC-3-15-60-1.4841

Rectangular stud type

Stud thickness t

Stud width b

Stud length L

Alloy type

04 Brick anchor

09 Ferrules

10 Stud welding unit/ Welding gun



Mounting lug

01 Round bar anchor